

XPS1

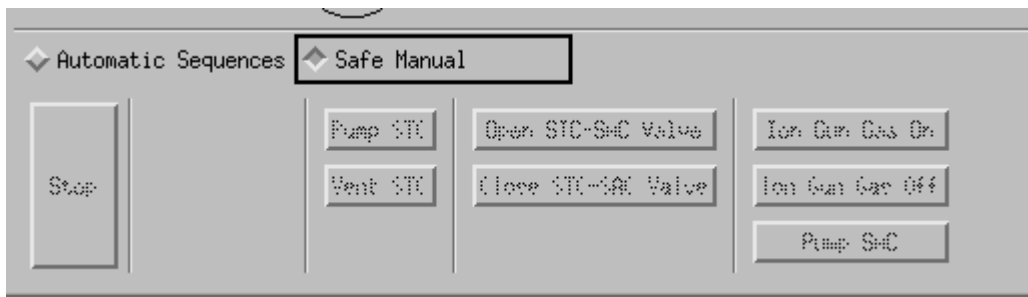
What to Do When the STC-SAC Valve will not Open or Close

When the STC-SAC valve does not open or close properly, there will typically be an error message displayed in the vacuum status panel at the bottom of the manual window indicating something was in the wrong state. Perform the following steps to open/close the valve and get the system in the correct state.

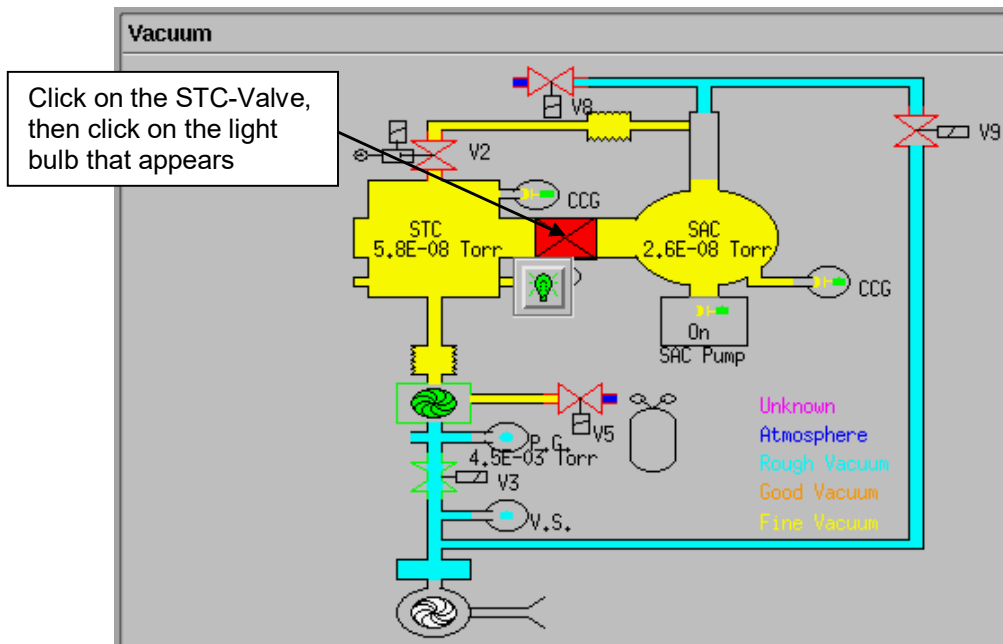
1. Make sure that the transfer arm is all the way back out, and the green light is illuminated at the end of the transfer arm



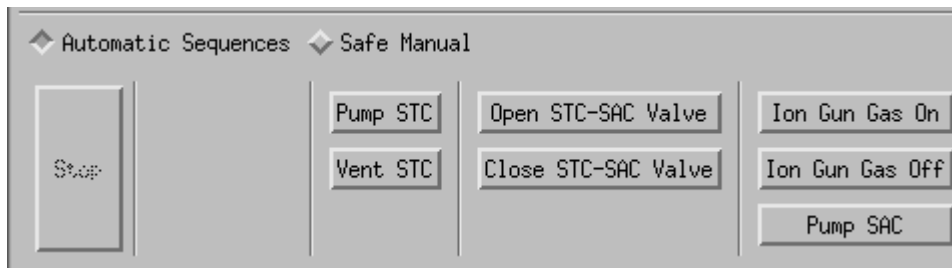
2. Click on "Safe Manual" in the vacuum section of the manual window



- Click on the STS-SAC valve in the vacuum diagram, and then click on the light bulb that appears. If the valve was closed, this should open the valve. If the valve was open, this should close the valve.



- Click back on "Automatic Sequences" in the vacuum section of the manual window.



- If the automatic sequences are still greyed out (can't be selected), then you will need to restart the software. Follow the "Software Start-Up Procedure"